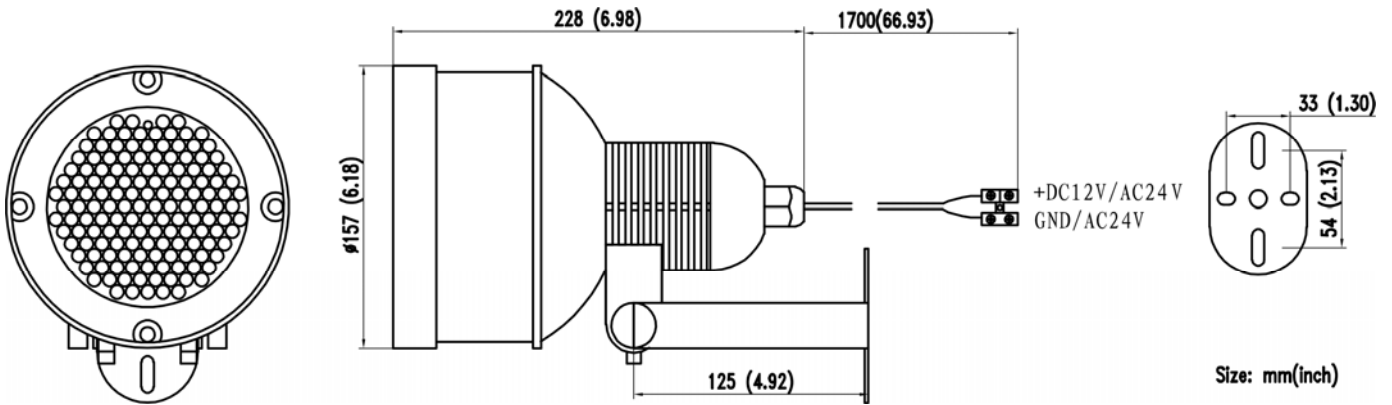


INFRARED LED ILLUMINATOR

● ITEM NO.: 15-IL07



● FEATURES

1. Fashion metal cylinder case, IP66
2. Build-in 147 PCs High Power IR LED
3. Auto switch on while under 10Lux by CDS
4. IR effective degree: 25° (Outdoor)
5. IR effective distance: 130M (426.2ft) (Outdoor)
6. Dual Power : DC12V/AC24V
7. Indoor and outdoor use, IP66 waterproof
8. Dimension: ø157x 228mm (for metal cylinder)

● PACKING

- | | |
|-------------------------|----|
| 1. Illuminator | X1 |
| 2. User Manual | X1 |
| 3. Screw | X4 |
| 4. Metal-Conical-Anchor | X4 |
| 5. Hexagonal Wrench | X1 |

● SPECIFICATIONS

ITEM	15-IL07
Type	Outdoor
Luminaire	850nm High Power LED
Angle	25°(Outdoor)
Emissive Power	18W
Outdoor Distance	130M (426.2ft) (Outdoor)
Control	CDS/10Lux
Power supply	DC12V±10%/AC24V±10%
Current Consumption	DC1400mA/ AC1250mA(Max)
Dimension	ø157x228mm (6.18"x6.98")
Weight	2330g (82.2oz)
Storage Temperature	-30~+60°C (-22~+140°F)
Operating Temperature	-30~+40°C (-22~+104°F)