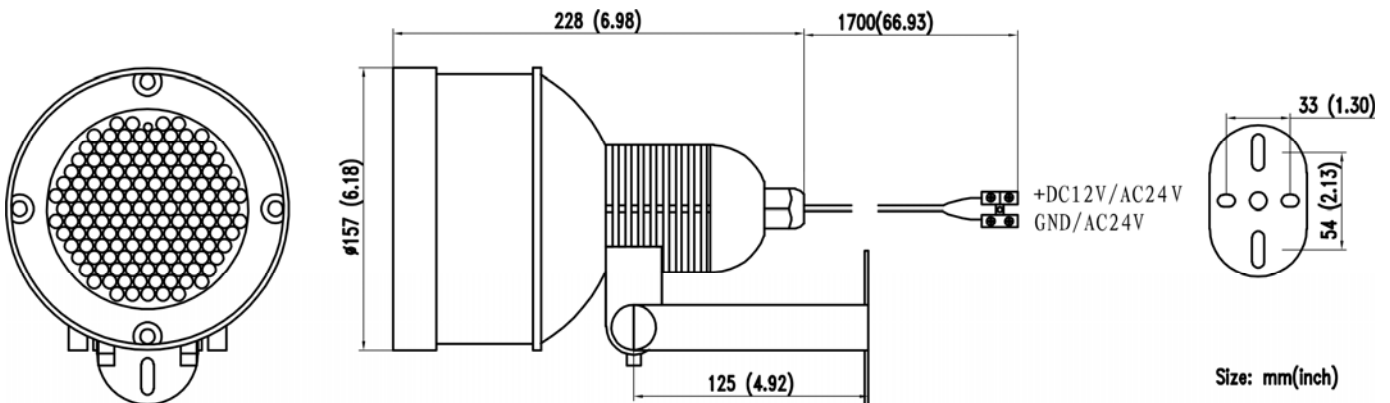


INFRARED LED ILLUMINATOR

● **ITEM NO.: 15-IL08**



● **FEATURES**

1. Fashion metal cylinder case, IP66
2. Build-in 147 PCs High Power IR LED
3. Auto switch on while under 10Lux by CDS
4. IR effective degree: 60° (Outdoor)
5. IR effective distance: 80m (262.3ft) (Outdoor)
6. Dual Power : DC12V/AC24V
7. Indoor and outdoor use, IP66 waterproof
8. Dimension: $\varnothing 157 \times 228$ mm (for metal cylinder)

● **PACKING**

- | | |
|-------------------------|----|
| 1. Illuminator | X1 |
| 2. User Manual | X1 |
| 3. Screw | X4 |
| 4. Metal-Conical-Anchor | X4 |
| 5. Hexagonal Wrench | X1 |

● **SPECIFICATIONS**

ITEM	15-IL08
Type	Outdoor
Luminaire	850nm High Power LED
Angle	60°(Outdoor)
Emissive Power	18W
Outdoor Distance	80m (262.3ft) (Outdoor)
Control	CDS/10Lux
Power supply	DC12V \pm 10%/AC24V \pm 10%
Current Consumption	DC1400mA/ AC1250mA(Max)
Dimension	$\varnothing 157 \times 228$ mm (6.18" \times 6.98")
Weight	2330g (82.2oz)
Storage Temperature	-30~+60°C (-22~+140°F)
Operating Temperature	-30~+40°C (-22~+104°F)