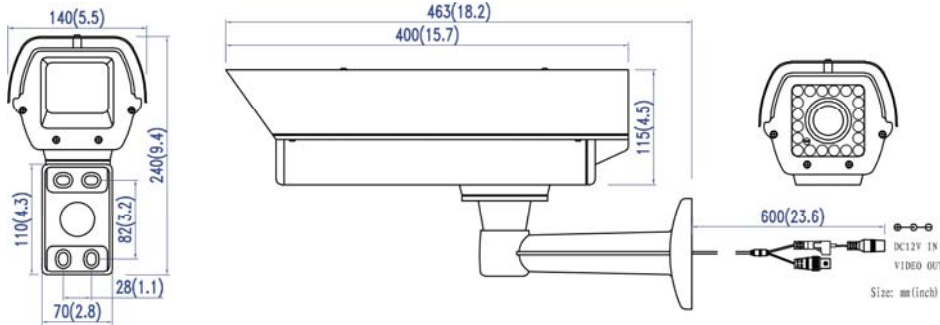


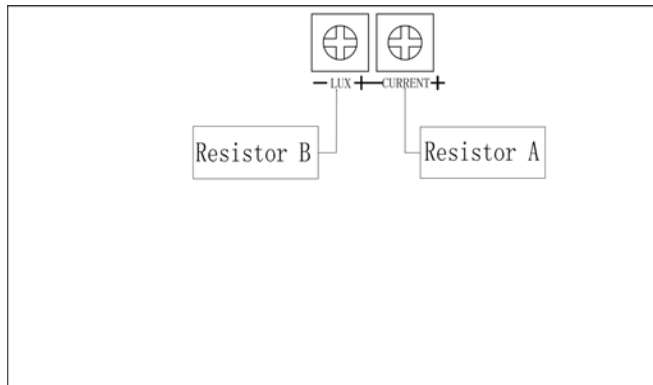
# Number Plate Capture Camera

## ● ITEM №: ANPR-40



## ● Adjustable function

1. Resistor A: If you want to change the intensity of the IR light, please open the back cover. And you can adjust it in the tail of the box camera( the following picture is for your reference)
2. Resistor B: If you want to change the working time of IR Led, please open the back cover. And you can adjust the working time in the tail of box camera (the following picture is for your reference).” – “refers to the IR LED will start working under the darker situation. “+” refers to the IR LED will start working under the brighter situation.



## ● Packing

- |    |                      |    |
|----|----------------------|----|
| 1. | Camera               | X1 |
| 2. | User Manual          | X1 |
| 3. | Screw                | X4 |
| 4. | Metal-Conical-Anchor | X4 |
| 5. | Adaptor              | X1 |
| 6. | Hexagonal Wrench     | X1 |

## ● Specification

ITEM	ANPR-40
Type	Monochrome
Signal System	NTSC/PAL
Pick Up Device	1/3" Sony High Resolution CCD
Picture Elements	NTSC:811Hx508V ; PAL:795Hx596V
Resolution	520 TVL
LED	20Pieces Super High Power LED
Vertical Frequency	NTSC:60Hz;PAL:50Hz
Horizontal Frequency	NTSC:15.734KHz ; PAL:15.625KHz
Clock Frequency	NTSC:28.636MHz ; PAL:28.375MHz
Scanning System	2:1 Interlace
S/N Ratio	≥50dB
Lens	10-40mm Varifocal Auto Iris IR Lens
Video Out-put	1V p-p,75 Ω
Power Supply	DC12V ±10%/AC24V±10%
Current Consumption	DC12V:1000mA/AC24V:900mA(MAX)
Recommend Working Distance	5-30M ( 16.3-98.3ft)
Dimension	463×240×140mm ( 18.23"×9.45"×5.51" )
Weight	2500g (88.2oz)
Storage Temperature	-30~+60°C (-22~+140°F)
Operating Temperature	-30~+40°C (-22~+104°F)

**Remark: Non-regulative adaptor may cause camera damaged.**

- **Caution for Installation**

1. Please do not install the camera where the vibration always happens, or the camera will be damaged.
2. Please keep the glass in front of the camera clean. Do not touch it directly. You can use a soft cloth with alcohol to wipe if necessary.
3. The available IR range of this camera is shown in the specification. Please be sure to place the camera in the working distance when it works.
4. In order to prevent short circuit, please do not loosen any screws in the camera at random.
5. Please do not let the camera work in the conditions which is beyond the most extreme and demanding of operating conditions and climates shown in the specification. When any abnormalities happen, please turn off the camera and contact your local dealer or us right away.

**Pay attention to the setting angle. The picture in the right is for your reference.**

